

AUS MOULDING™

AUS MOULDING™
innovative – creative – experienced

sales@apacoustics.com.au
03 9465 2667
www.apacoustics.com.au





AUS MOULDING™

Transform walls and ceilings with our versatile decorative moulding panels, crafted to bring dynamic elegance and texture to any space. Featuring a seamless tongue and groove system, these panels create a continuous visual flow that adapts effortlessly to both curved and straight surfaces. Available in a range of premium materials and finishes, they're ideal for spaces where sophistication meets functionality.

With its soft, undulating curves, the textured surface of our panels interacts beautifully with light, creating an intriguing shadow play that changes throughout the day. This effect adds subtle depth and movement to sleek lines, making it perfect as a feature in kitchens, bedrooms, hallways, lounges, or dining rooms.

Bring your interior to life with our decorative moulding panels, where craftsmanship and innovation meet to create captivating spaces.



FEATURES

- **Elegant Versatility:** Perfect for walls and ceilings, these panels add style and dimension to any interior.
- **Seamless Design:** The tongue and groove system ensures a smooth, continuous appearance without visible breaks.
- **Adaptable to Curves:** Designed to follow the contours of curved walls for a flawless, custom look.
- **Multiple Finishes:** Available in a wide selection of materials and finishes to suit any design vision.

FIRE GROUP RATING

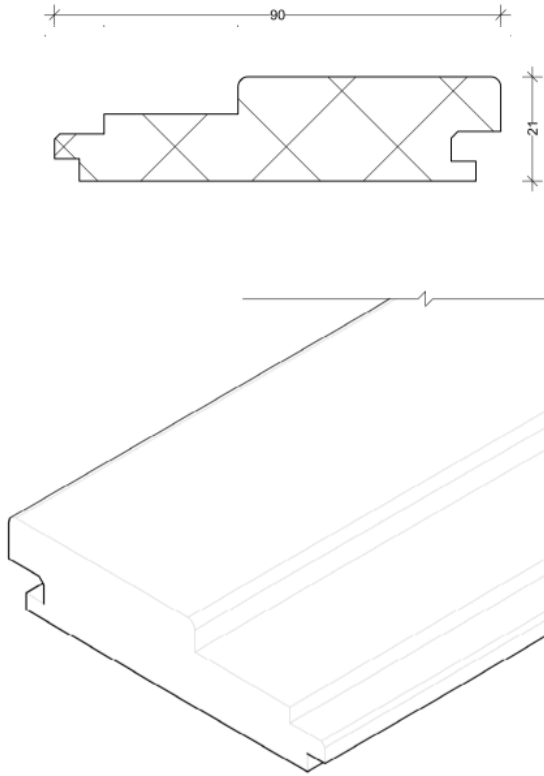
- Group 1, Group 2 & Group 3 rated to Australian Standard ISO 9705-2003

STANDARDS AND TESTS

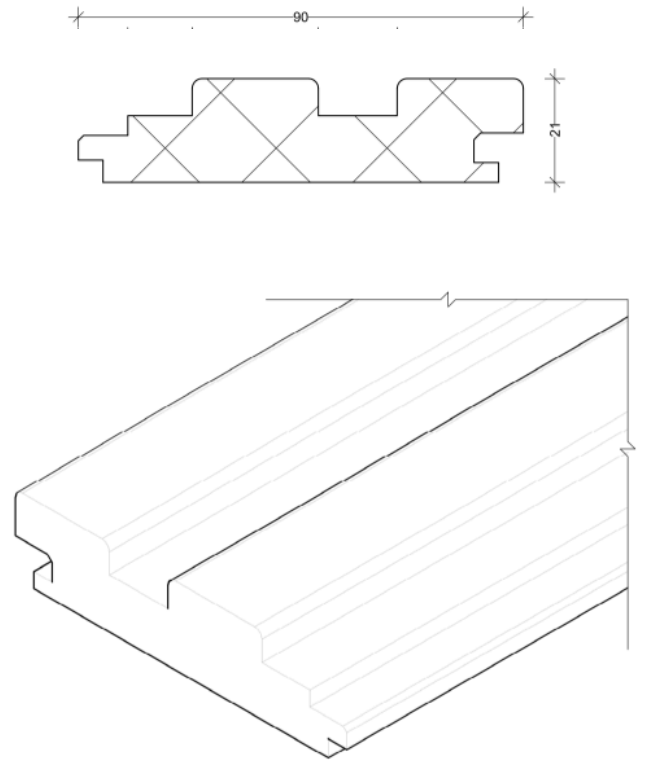
- Australian Made Certification

DESIGNS

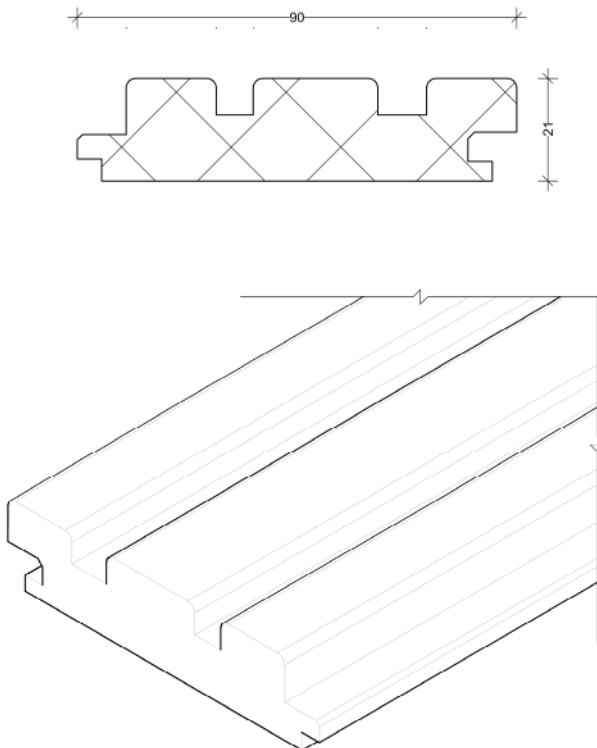
AM-01



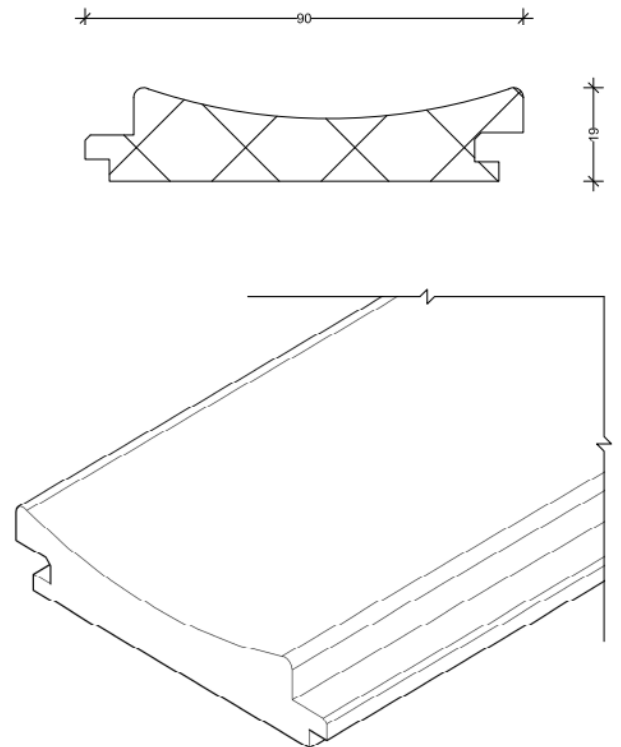
AM-02



AM-03

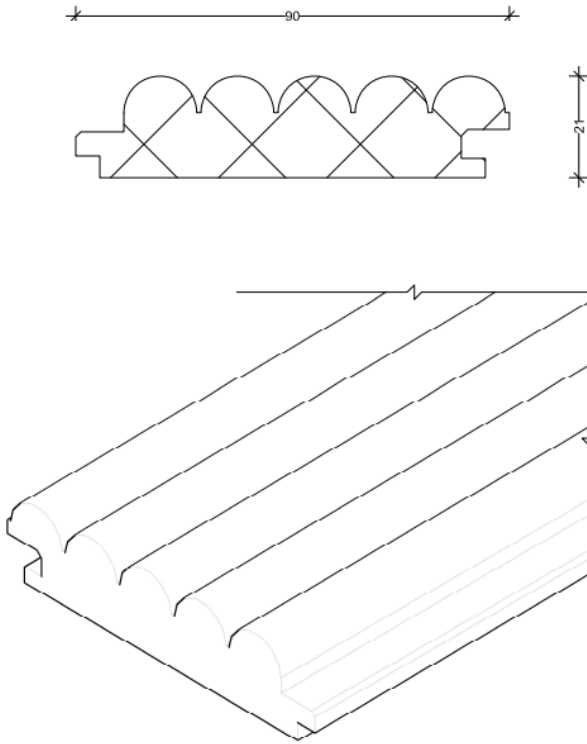


AM-06

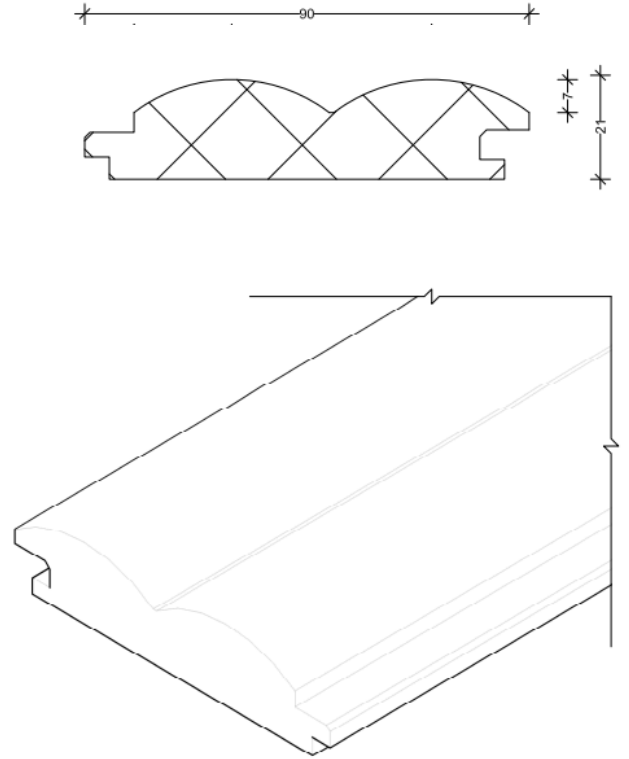


DESIGNS

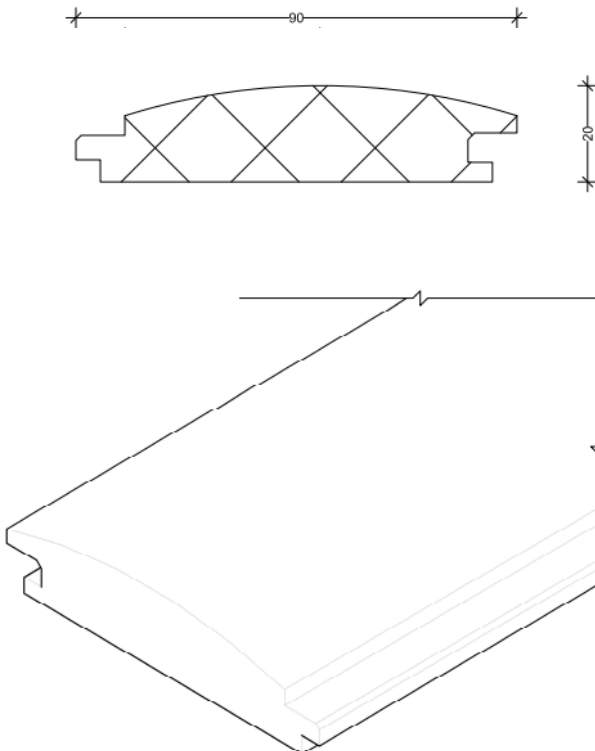
AM-07



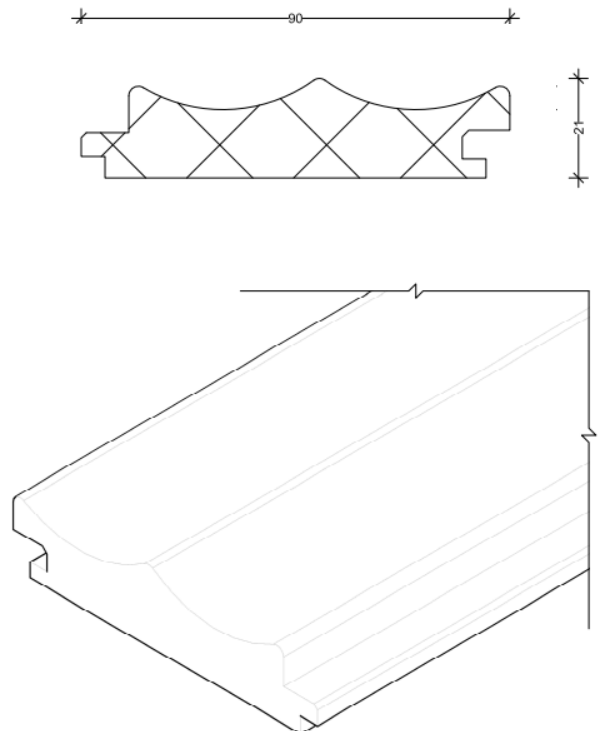
AM-08



AM-09

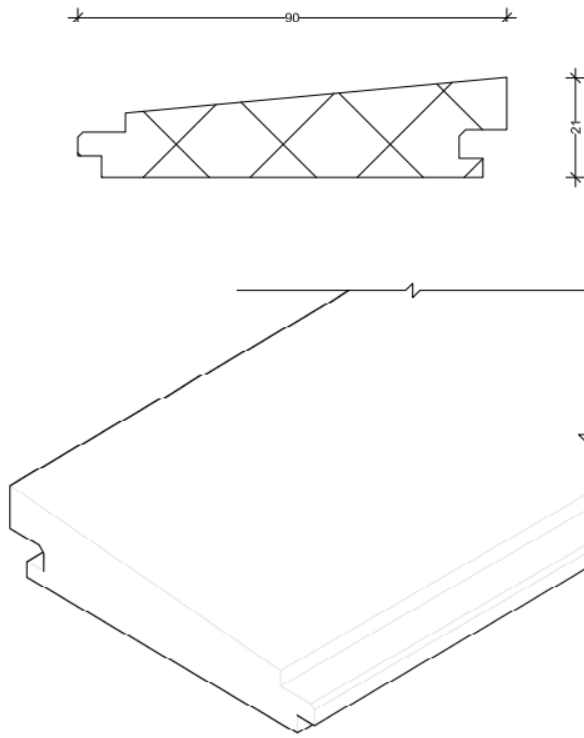


AM-10

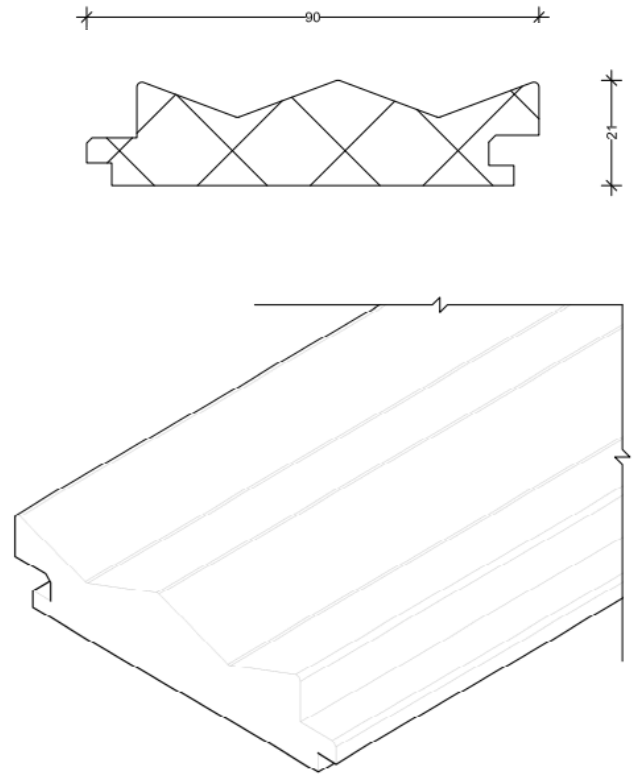


DESIGNS

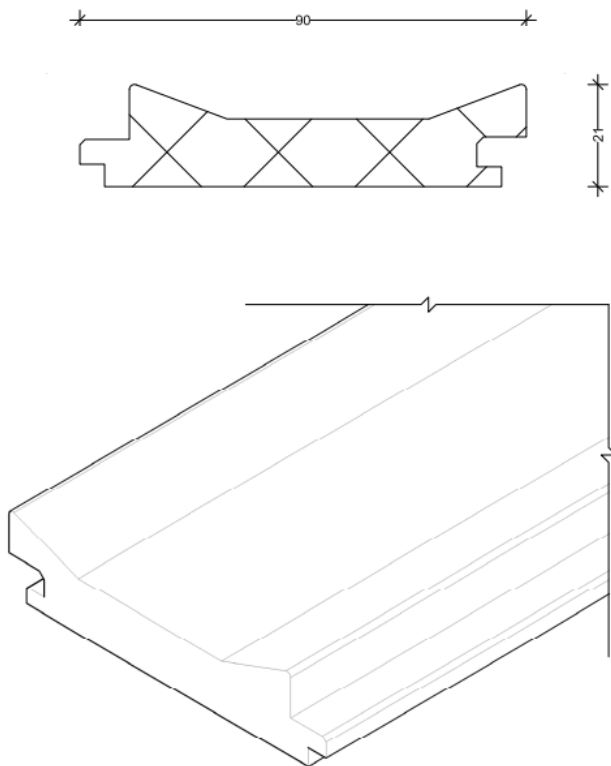
AM-11



AM-12



AM-13





WHY CHOOSE ACOUSTIC PANELS AUSTRALIA

- **Range** – offering an extensive range of products, finishes and colours
- **Flexibility** – our designs are adaptable to multiple applications, and many can be easily removed for service access or relocation
- **Experience** – expert advice and professional support to offer you the best possible results
- **Customising** – our products can be quickly tailored to your specifications
- **Cost-effectiveness** – we can help you find a solution to suit your budget and design requirements

✉ sales@apacoustics.com.au

📍 **HQ:** 16 Hanrahan St Thomastown,
Melbourne, VIC, 3074

☎ 03 9465 2667

📍 **Perth Office:** Level 28, AMP Tower,
140 St Georges Terrace, Perth WA 6000

☎ 08 9278 2487

CONTACT US

Acoustic Panels Australia Pty Ltd



@acousticpanelsaustralia

